

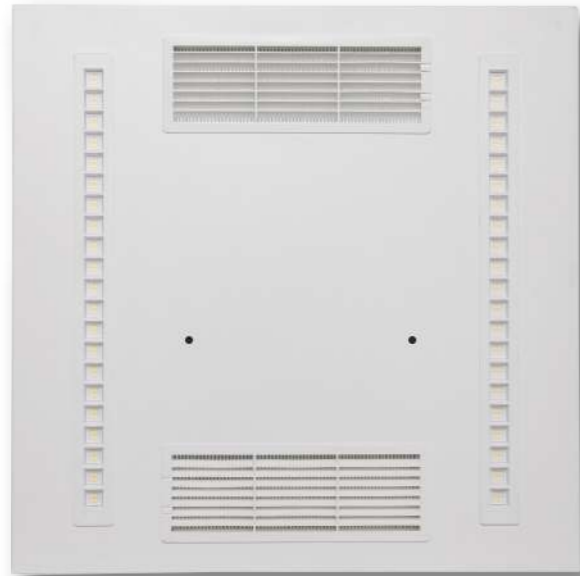


EDISON

2021

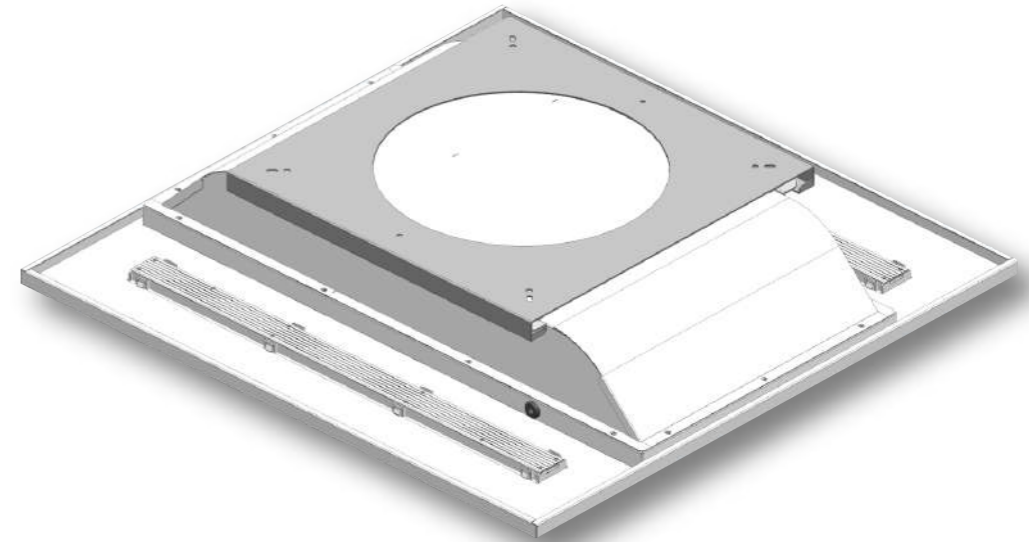
Air Circulation
Germicidal light

Air Circulation Germicidal light



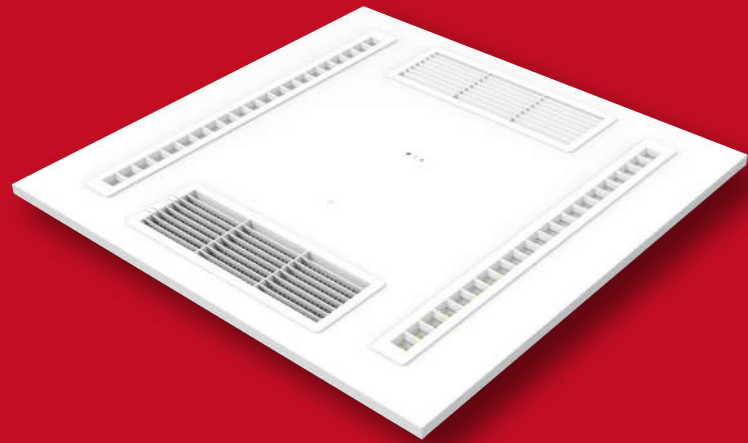
UV-C Disinfection
UV-C Sterilization
UV-C Air Recirculation

Air Circulation Germicidal light



BACK
Installation (surface mounted)

Advantage



1. Using 253.7 wavelength ultraviolet light, can effectively kill mainstream viruses and bacteria, This germicidal wavelength does not generate Ozone, achieve the purpose of purifying the air.
2. The overall working noise is controlled under 42 decibels.
3. The UV tubes are 11000hours life time and easy to replace.(After 9000H using, the efficiency will be around 80%)
4. The filter cotton can effectively filter the dust in the air, protect the lamp tube from damage, and the filter cotton is easy to replace.
5. Ensuring that this light can be used continuously around people and pets.
6. Remote control or switch control, is optional.
7. Saving space(combine UVC and regular lighting).
8. Warranty 5 years. (Does not include fragile UVC lamp and filter cotton)
9. 30W, 120lm/W, Tridonic driver, UGR<16.
10. UVC shelled inside can be work when people occupied 100% Safty
11. When the filter needs to be replaced, there will be a signal light to prompt the replacement

Wireless infrared button remotecontroller



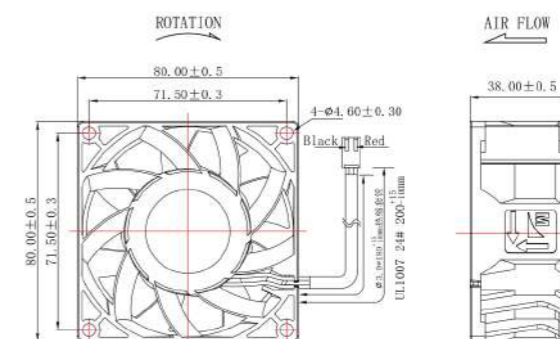
1. The lamp can be controlled by multiple remote controls;
2. Add the function of sterilization time setting, from 0.5H to 3H;

3. The sterilization function and the lighting function are separate;
4. The remote control uses two AAA batteries;

Fan information

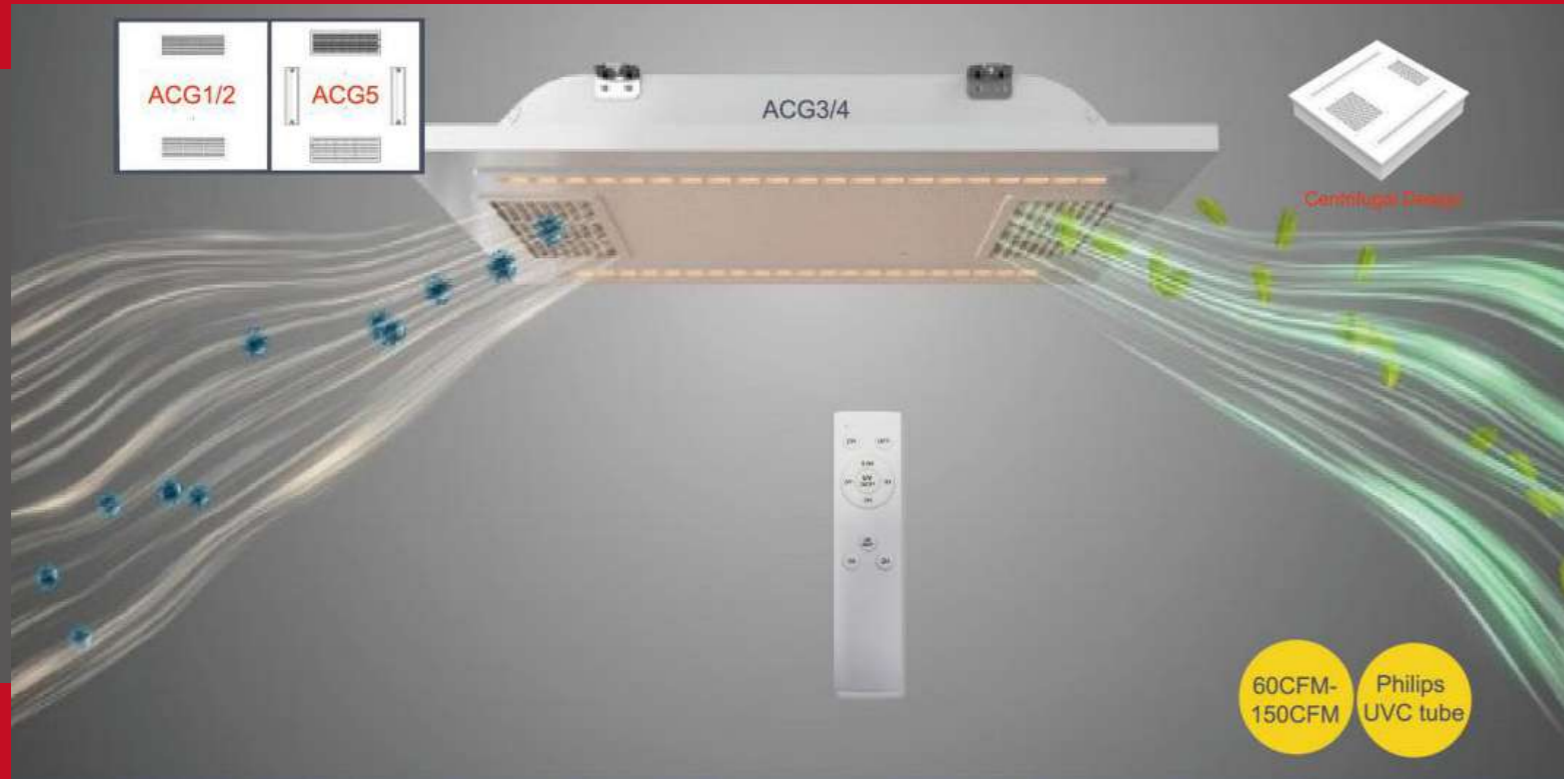


— with remote control



ITEM	Specification Condition		
Item No.	DZ08038B24LA		
Dimension	80x80x38mm		
Rated Voltage	24VDC		
Start-up Voltage	12VDC (50/60Hz)	25°C Switch power ON/OFF	
Operating Voltage	14.0~27.6VDC	85-265VDC	
Rated Speed	2300rpm	±10%	a. Rated Voltage
Maximum Current	0.06A	±10%	b. 25°C and 65%RH
Maximum Power	1.44W		c. Measured after 5Mins
Rated Airflow	29.53	CFM	/PQ Measurement Apparatus : (LW9266-SR)
	0.84	m ³ /min	Standard : AMCA
Rated Static Pressure	0.12	Inch-H ₂ O	Rated Voltage
	3.06	mm-H ₂ O	Rated Current
Life Expectancy	70000hrs at 40°C		a. L10 at Conf. Level 90%
			b. Rated Voltage
Noise Level	29.7dB Max		a. Rated Voltage
			b. Non-Echo Chamber
			c. Standard: CNS, 8753/ISO 3744
			d. Test Condition: ISO 7779
			e. Distance: 1.0M
Motor Type	AC Frequency-Switching Fan		

Application



Area	Number of Luminaire	Time required for purification 99.92%
20m ²	1	2H
40m ²	2	2H
60m ²	3	2H

Flow rate: 60 m³/H (30CFM(cubic feet per minute) 10x10 8 feet space, this light can refresh 2.5times

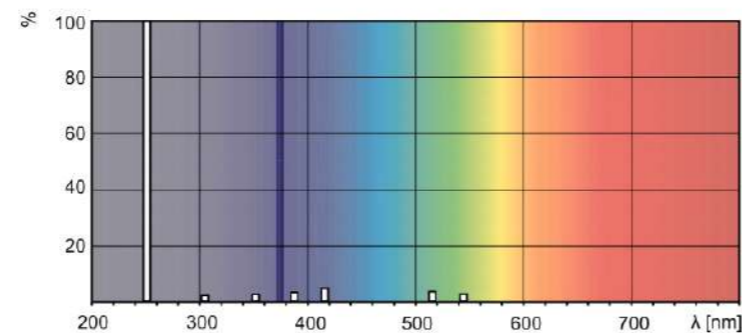
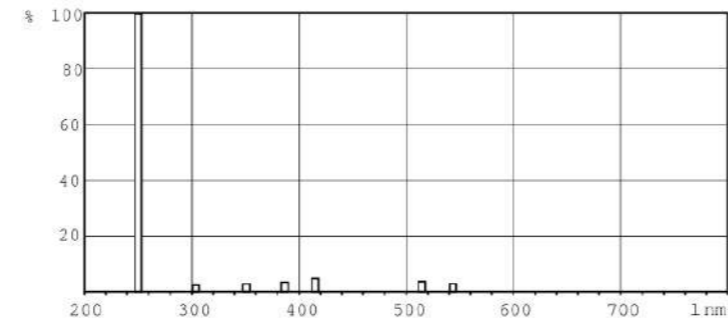
Other Advantage

- 1.SPCC (stell,plate,cold,common)house.
- 2.Anti UV plastic for Filter holder, to anti yellow.
- 3.Main sterilization factor: UVC 253.7mm Tubes @philips brand.
- 4.Can be used everywhere there air needs to be sterilized
- 5.Rate of killed: 99.92%

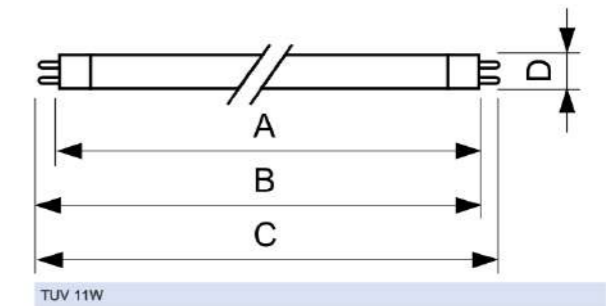
You can replace this UVC Tube with philips brand as following item:

General Information	
Cap-Base	G5 [G5]
Main Application	Disinfection
Useful Life (Nom)	11000 h
Light Technical	
Color Code	- [Not Specified]
Color Designation - [Not Specified]	- [Not Specified]
Depreciation At Useful Lifetime 15%	
Operating and Electrical	
Power (Rated) (Nom)	11 W
Lamp Current (Nom)	0.33 A
Voltage (Nom)	26 V
Mechanical and Housing	
Cap-Base Information	-
Approval and Application	
Mercury (Hg) Content (Nom)	4.4 mg
UV	
UV-C Radiation	2.6 W
Product Data	
Full product code	871150055965427
Order product name	TUV 11W FAM/10X25BOX
EAN/UPC - Product	8711500559654
Order code	928002204013
Net Weight (Piece)	22.000 g

Photometric data



Dimensional drawing



UVC information
Philips
TUV 11W
FAM/10X25BOX

A lamp breaking is extremely unlikely to have any impact on your health. If a lamp breaks, ventilate the room for 30 minutes and remove the parts, preferably with gloves. Put them in a sealed plastic bag and take it to your local waste facilities for recycling. Do not use a vacuum cleaner.

DANGER: Risk Group 3 Ultra Violet product. These lamps emit high-power UV radiation that can cause severe injury to skin and eyes.

Avoid eye and skin exposure to unshielded product. Use only in an enclosed environment which shields users from the radiation.

Light information

Dimmable driver and Dali driver optional
3000K/6000K, is optional

Item No.	CE item No.	Size(mm)	Wattage(W)	Colour temperature(K)	Lumen efficiency(LM)	UGR	Weight(KGS)
ES-ACG-595X595-30W	ES-ACG-30W	595X595X95MM	30	4000	3600	<16	6.6
ES-ACG-620X620-30W	ES-ACG-30W	620X620X95MM	30	4000	3600	<16	6.9
ES-ACG-603X603-30W	ES-ACG-30W	603X603X95MM	30	4000	3600	<16	6.7

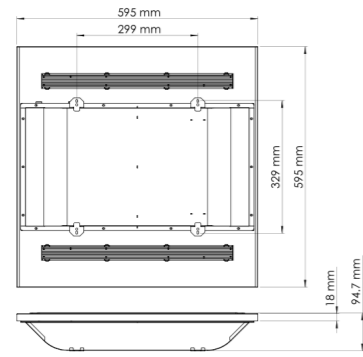
Fixture Compatibility

Light Wattage	Fan Wattage	UVC Tube	Electrical Classification	Ingress Protection	Operating Temp.	Operating Humidity	Storage Temp.
30W	1.4W(with remote control) 2.5(without remote control)	11W	I	IP20	-20°C~45°C	0~90%	-20°C~65°C

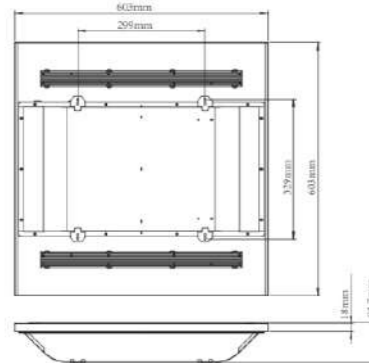
Filter information-Primary filter

1. The main components are mostly: PET (polyester fiber) and PP (polypropylene fiber)
2. Filtration efficiency for 5 μ m particles are: 80%, European standards G3
3. The filters are suggested, to replace after 3 month(2160h) using.

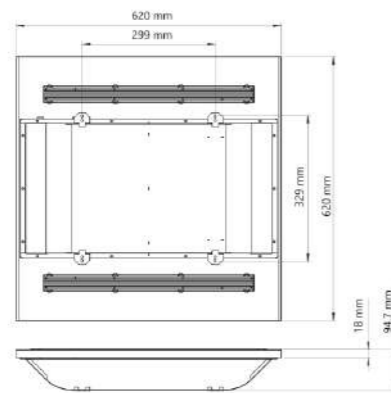
Suitable different ceiling Size



Thickness: 95mm
Size: 595x595



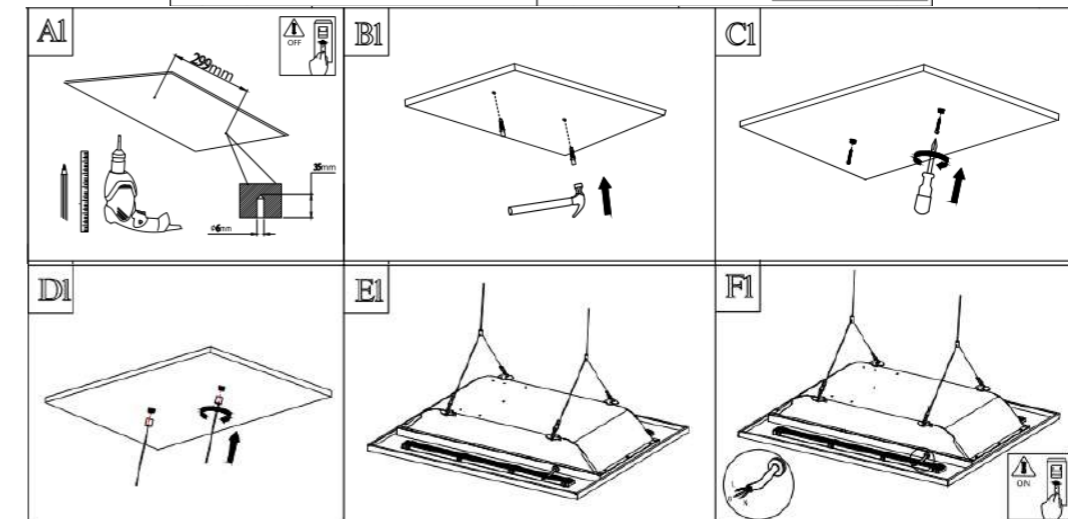
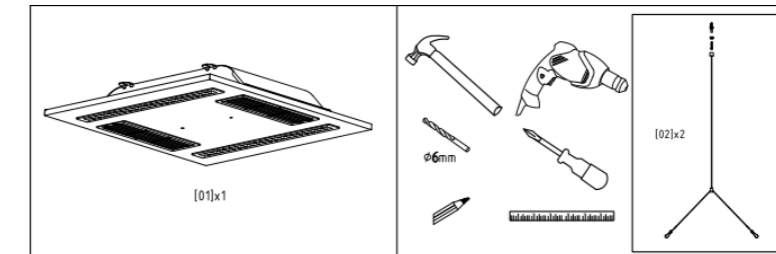
Thickness: 95mm
Size: 603x603



Thickness: 95mm
Size: 620x620

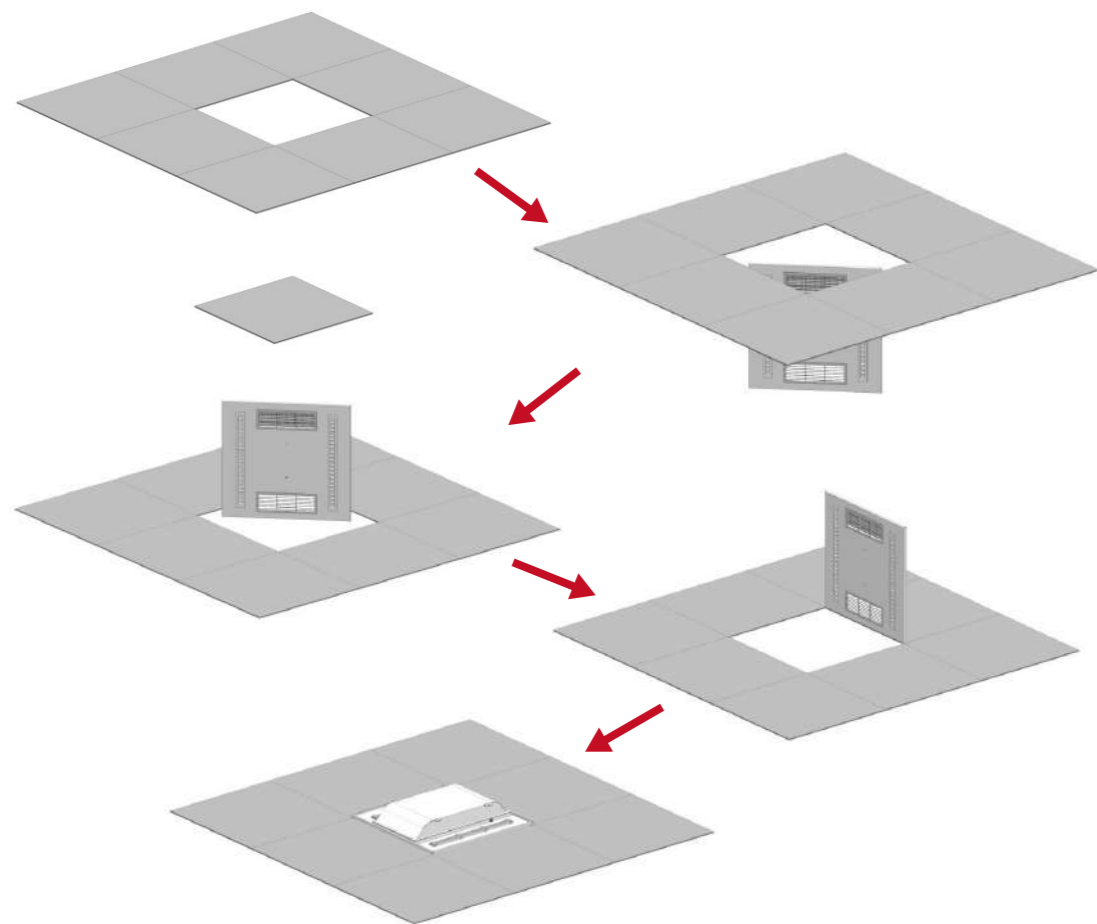
EDISUN

Installation (Suspending)



Surface mounted
installation , is optionaal

Installation (Recessed into ceiling)



EDISUN

THANK YOU

www.edisunlighting.com